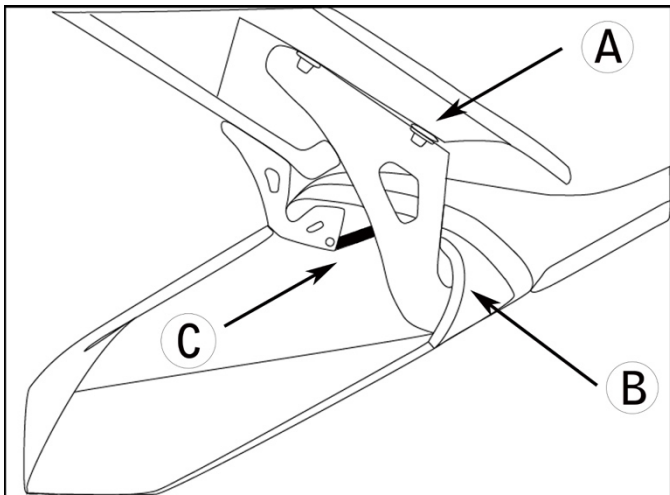


FRP Techniques

911 Decklid Quick Installation Guide

Refer to the complete 'FRP Techniques How To Install 911 Wings and Decklids' for an in-depth explanation. **GETTY DESIGN LLC © 2017**

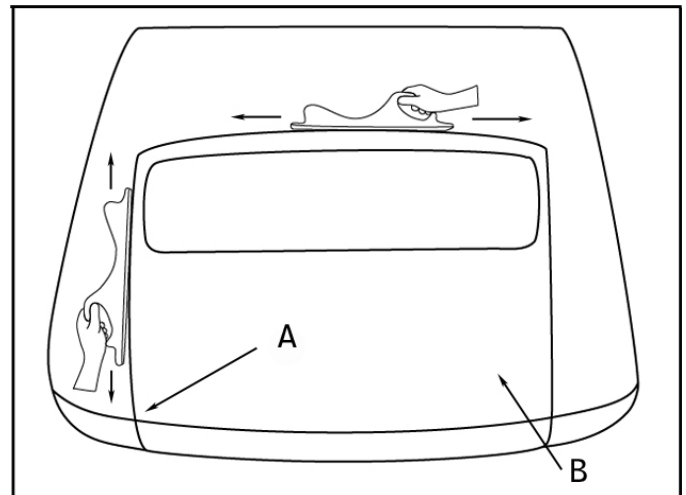


#1: Install the Decklid

A - Shim the Hinges

B - Check for interference on the edge of the drip channel

C - Remove the Hinge Shock for lightweight Decklids

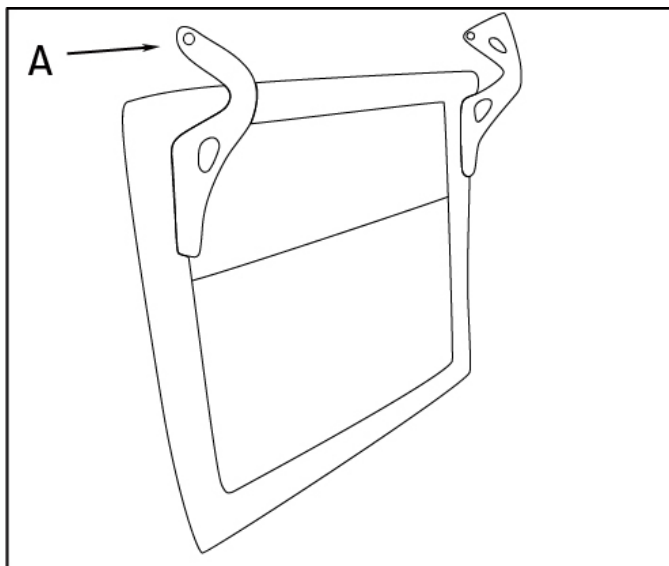


#2: If necessary, sand the edges of the Decklid for an even seam.

A - Align the corners

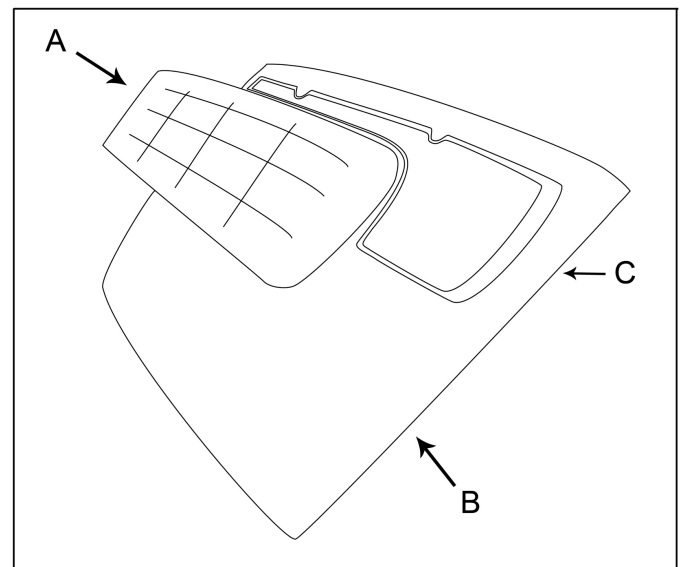
B - Add the 2 rubber snubbers to the liner side

C - Install and check the latch after all of the decklid fettling has been done



#3: Remove the Decklid with the hinges installed to paint

A - Remove at the hinge pivot bolts to paint



#4: Before painting perform pre-checks

A - Test fit the grill

B - Test fit the 2 engine compartment lights on older models

C - Test fit or fabricate any A/C brackets